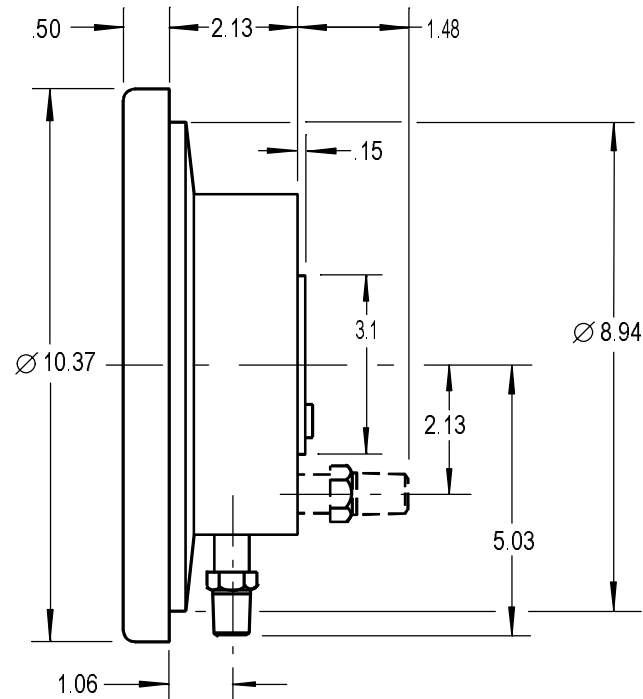
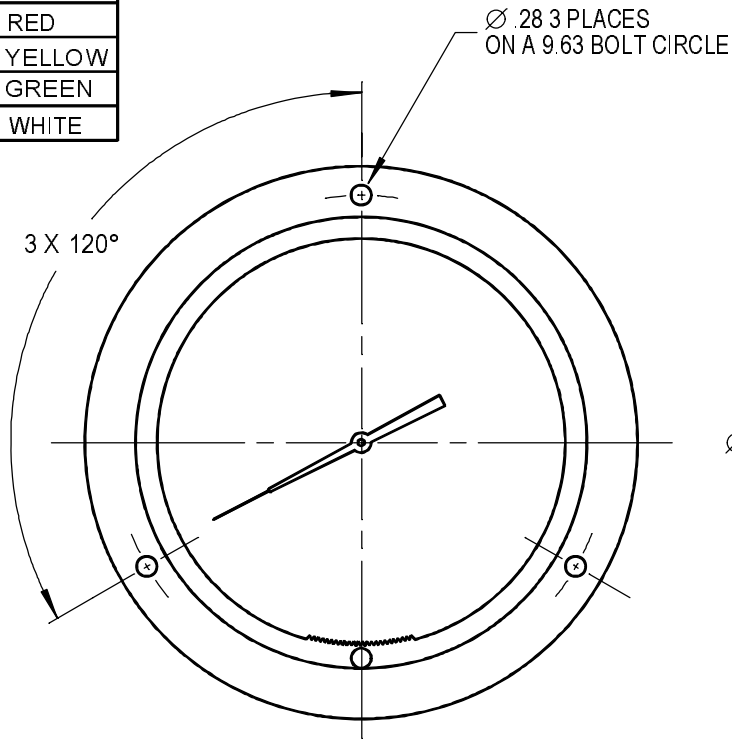


NOTES:

xx	RANGE	y	COLOR
73	250 FSW	A	BLACK
74	300 FSW	B	BLUE
75	350 FSW	R	RED
76	450 FSW	Y	YELLOW
85	1200 FSW	G	GREEN
		W	WHITE

z: 0 - BACK MOUNT
2 - BOTTOM MOUNT



REVISIONS			
REV	DESCRIPTION	DATE	APPROVED

SPECIFICATIONS SUBJECT TO CHANGE WITHOUT NOTICE

UNLESS OTHERWISE SPECIFIED DIMENSIONS ARE IN INCHES		MATERIAL: ABS or EQUAL		CONTRACT NO.		PERMA-CAL INDUSTRIES, INC.	
ANGULAR	± 0° 30'	PREP BY	REH	DATE	2/23/2011		
LINEAR	.XX ± .03 .XXX ± .015	CHECK					
FRACTIONAL	± .031	PROJ ENGR					
CORNER AND FILLET RAD. .005-.015 REMOVE ALL BURRS		FINISH:		USED ON: INDUSTRIAL GAUGES		SIZE A	CODE IDENT NO. 59018
DIAMETERS ON SAME C/L RUNOUT WITHIN _____ FIR				FILE NAME: 308FTW Top		DRAWING NO. 308FTWxyz1-O	REV N/C
✓ SURFACE ROUGHNESS USAS B46.1						SCALE NONE	WEIGHT 6.6 lbs.
						SHEET 1	OF 1