

NOTES:

REF. BUL. 100 & T-103 FOR THE FOLLOWING:

b - ACCURACY CODE

e - POINTER TYPE

f - DIAL TRIM

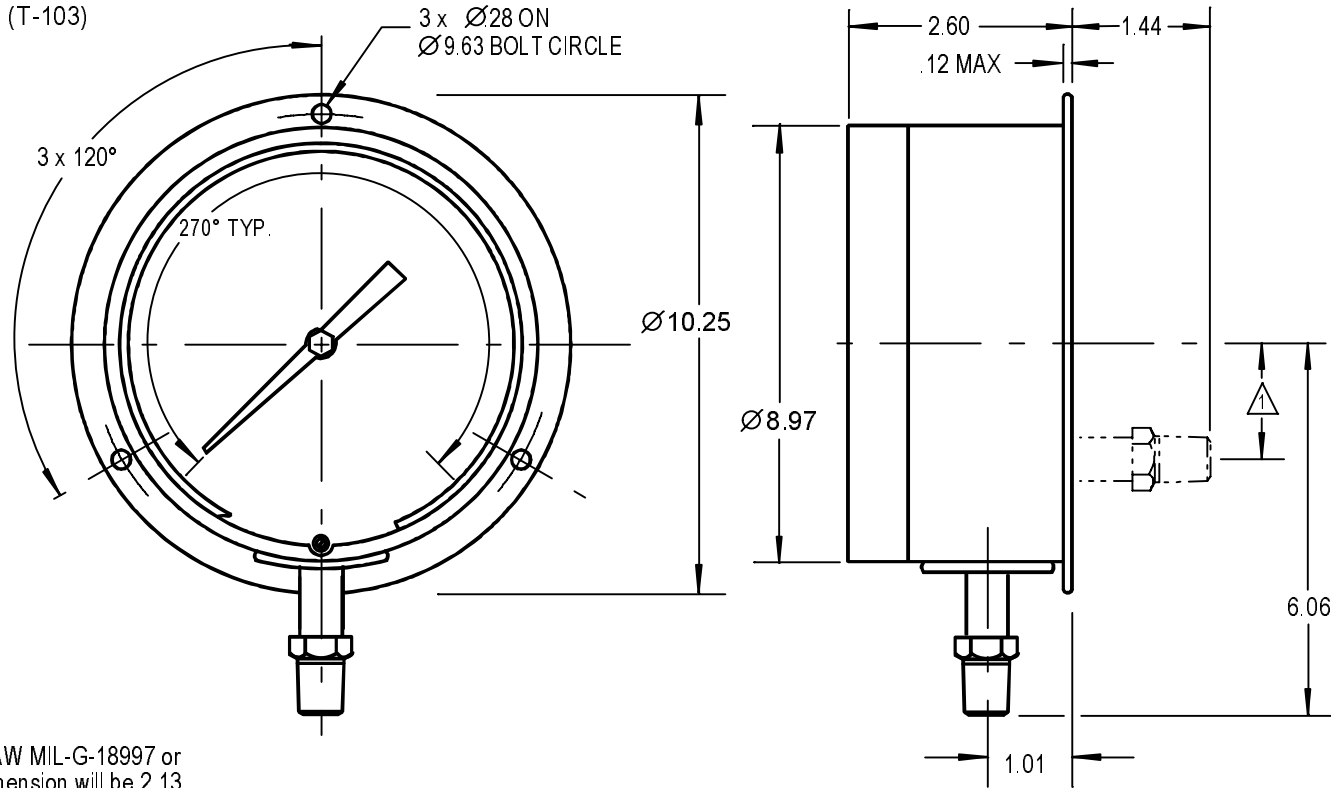
gg - PRESSURE RANGE CODE (T-103)

h - CASE COLOR

i - FITTING LOCATION

j - FITTING TYPE

k - ADDITIONAL OPTIONS



⚠ Commercial dimension is 1.38. If IAW MIL-G-18997 or ASME B40.100 Appendix C, the dimension will be 2.13.

REVISIONS			
REV	DESCRIPTION	DATE	APPROVED

UNLESS OTHERWISE SPECIFIED DIMENSIONS ARE IN INCHES	
ANGULAR	± 1°
LINEAR .XX	± .030
LINEAR .XXX	± .015
FRACTIONAL	± 1/16
DIAMETERS ON SAME C/L RUNOUT WITHIN <u>.016</u> FIR	
✓ SURFACE ROUGHNESS	USAS B46.1

MATERIAL:	ALUMINUM
FINISH:	POWDER COAT

CONTRACT NO.		DATE
PREP BY	PAL	8/31/2012
CHECK		
PROJ ENGR		
USED ON: INDUSTRIAL GAUGES		
FILE NAME: 1b8Refgghij-Z		

PERMA-CAL INDUSTRIES, INC.			
GAUGE, 8 1/2" ALUMINUM REAR FLANGE			
SIZE	CODE IDENT NO.	DRAWING NO.	REV
A	59018	1b8Refgghij-Zk	N/C
SCALE	WEIGHT	SHEET	OF
NONE		1	1