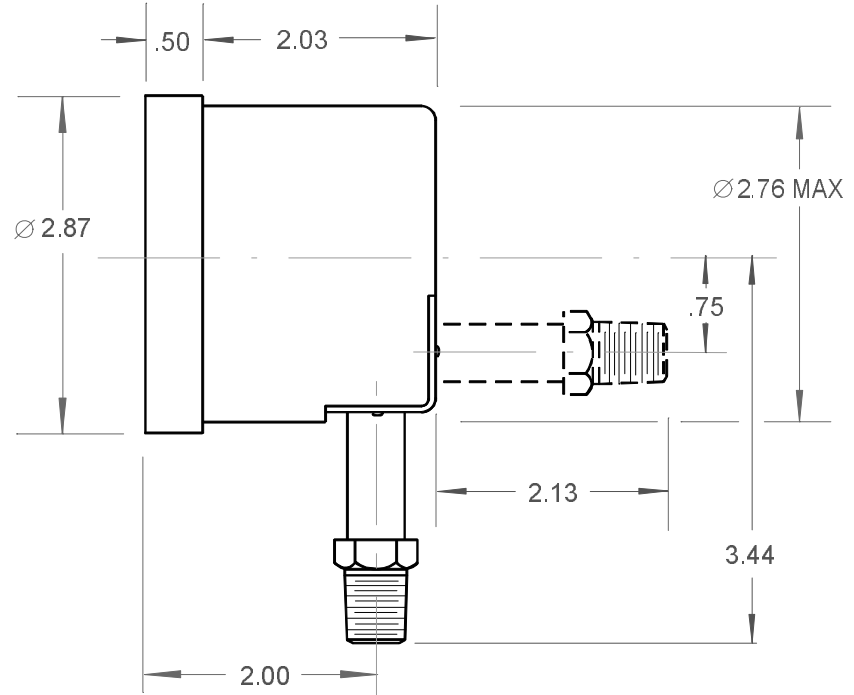
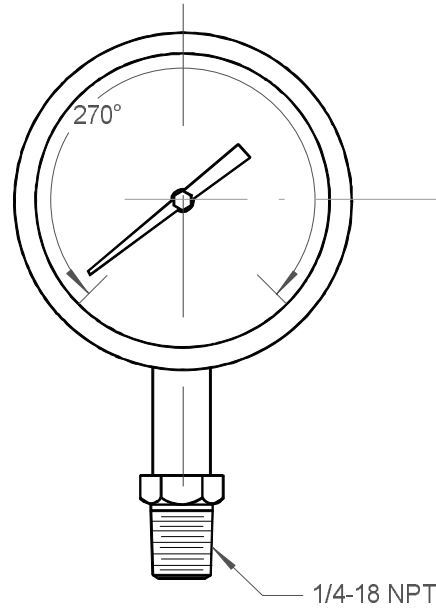


NOTES:

REF. BUL. 100 & T-103 FOR THE FOLLOWING:

- b - ACCURACY CODE
- e - POINTER TYPE
- f - DIAL TRIM
- gg - PRESSURE RANGE CODE (T-103)
- h - CASE COLOR - CODE A (BLACK) IS STANDARD
- i - FITTING LOCATION
- j - FITTING TYPE - CODE 1 (1/4 NPT) STANDARD
- k - OPTIONS

REVISIONS				
ZONE	REV	DESCRIPTION	DATE	APPROVED



UNLESS OTHERWISE SPECIFIED DIMENSIONS ARE IN INCHES		MATERIAL:		CONTRACT NO.		<b>PERMA-CAL INDUSTRIES, INC.</b>					
ABS or EQUAL		DATE		PREP BY						PAL	
ANGULAR	± 0° 30'	CORNER AND FILLET RAD. .005-.015 REMOVE ALL BURRS		CHECK		PROJ ENGR		REH		5/10/2007	
LINEAR	± .03			USED ON:		INDUSTRIAL GAUGES		SIZE	CODE IDENT NO.	DRAWING NO.	REV
.XX	± .015			FINISH:		FILE NAME:		<b>A</b>	<b>59018</b>	1b3Nefgghij-k	N/C
.XXX	± .031	DIA METERS ON SAME C/L RUNOUT WITHIN _____ FIR		INDUSTRIAL GAUGES		SCALE	2 : 3	WEIGHT	SHEET 1	OF 1	
✓	SURFACE ROUGHNESS USAS B46.1	INDUSTRIAL GAUGES		FILE NAME:		1b3Nefgghij		SHEET 1		OF 1	