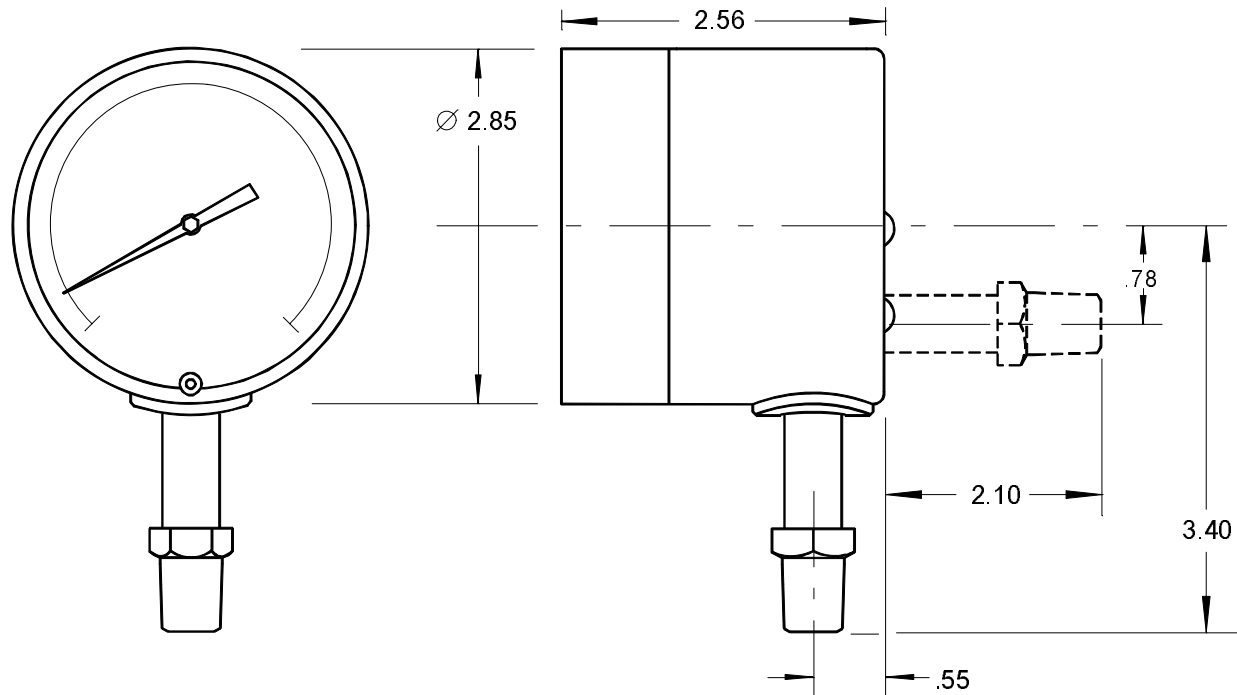


NOTES:

REF. BUL. 100 & T-103 FOR THE FOLLOWING:

- b - ACCURACY CODE
- e - POINTER TYPE
- f - DIAL TRIM
- gg - PRESSURE RANGE CODE (T-103)
- h - CASE COLOR
- i - FITTING LOCATION
- j - FITTING TYPE
- k - OPTIONS



REVISIONS			
REV	DESCRIPTION	DATE	APPROVED

UNLESS OTHERWISE SPECIFIED DIMENSIONS ARE IN INCHES		MATERIAL: ALUMINUM		CONTRACT NO.		PERMA-CAL INDUSTRIES, INC.							
ANGULAR ± 0° 30'		FINISH: POWDER COAT		DATE						GAUGE, 2 1/2" ALUMINUM NO FLANGE			
LINEAR .XX ± .02				PREP BY		PAL							
.XXX ± .005				CHECK									
CORNER AND FILLET RAD. .005-.015 REMOVE ALL BURRS		USED ON:		PROJ ENGR		SIZE		CODE IDENT NO.		DRAWING NO.		REV	
DIAMETERS ON SAME C/L RUNOUT WITHIN _____ FIR		FILE NAME:		1b3Nefgghij-Z		A		59018		1b3Nefgghij-Zk		N/C	
✓ SURFACE ROUGHNESS USAS B46.1		SCALE		NONE		WEIGHT		SHEET		1		OF 1	