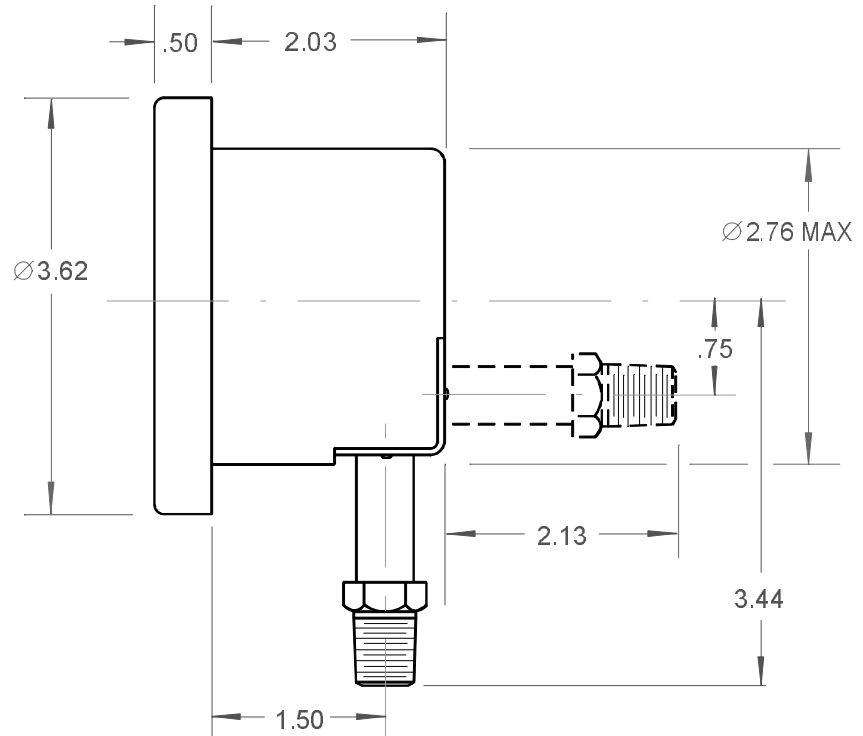
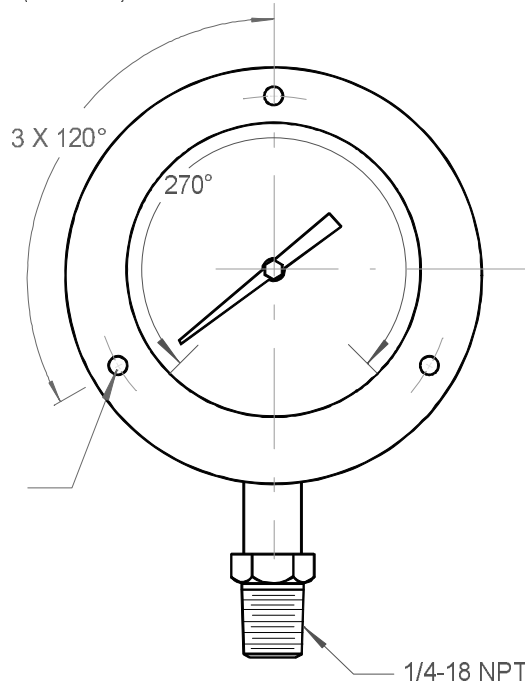


NOTES:

REF. BUL. 100 & T-103 FOR THE FOLLOWING:

- b - ACCURACY CODE
- e - POINTER TYPE
- f - DIAL TRIM
- gg - PRESSURE RANGE CODE (T-103)
- h - CASE COLOR - CODE A (BLACK) STANDARD
- i - FITTING LOCATION
- j - FITTING TYPE - CODE 1 (1/4 NPT) STANDARD
- k - OPTIONS

REVISIONS				
ZONE	REV	DESCRIPTION	DATE	APPROVED



UNLESS OTHERWISE SPECIFIED DIMENSIONS ARE IN INCHES		MATERIAL:		CONTRACT NO.		PERMA-CAL INDUSTRIES, INC.			
ABS or EQUAL		DATE		DATE					
ANGULAR	± 0° 30'	PREP BY	PAL	4/27/2007		PRESSURE GAUGE, 2 1/2", FLANGE CASE			
LINEAR	.XX ± .03 .XXX ± .015 ± .031	CHECK							
CORNER AND FILLET RAD. .005-.015 REMOVE ALL BURRS		PROJ ENGR	REH	5/10/2007					
DIAMETERS ON SAME C/L RUNOUT WITHIN _____ FIR		FINISH:		USED ON:		SIZE	CODE IDENT NO.	DRAWING NO.	REV
✓ SURFACE ROUGHNESS USAS B46.1				INDUSTRIAL GAUGES		A	59018	1b3Fefgghij-k	N/C
				FILE NAME:		SCALE	WEIGHT	SHEET	OF
				1b3Fefgghij		2 : 3		1	1