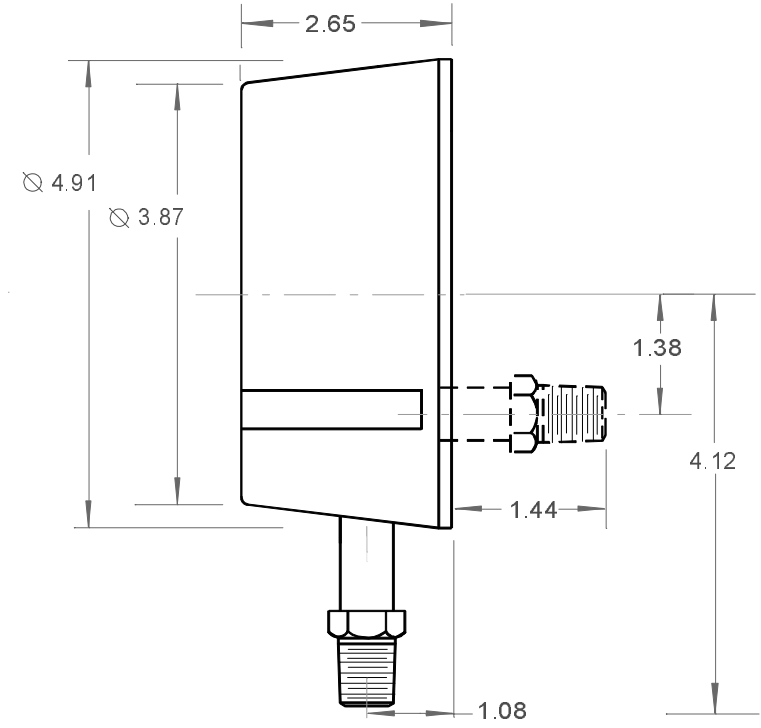
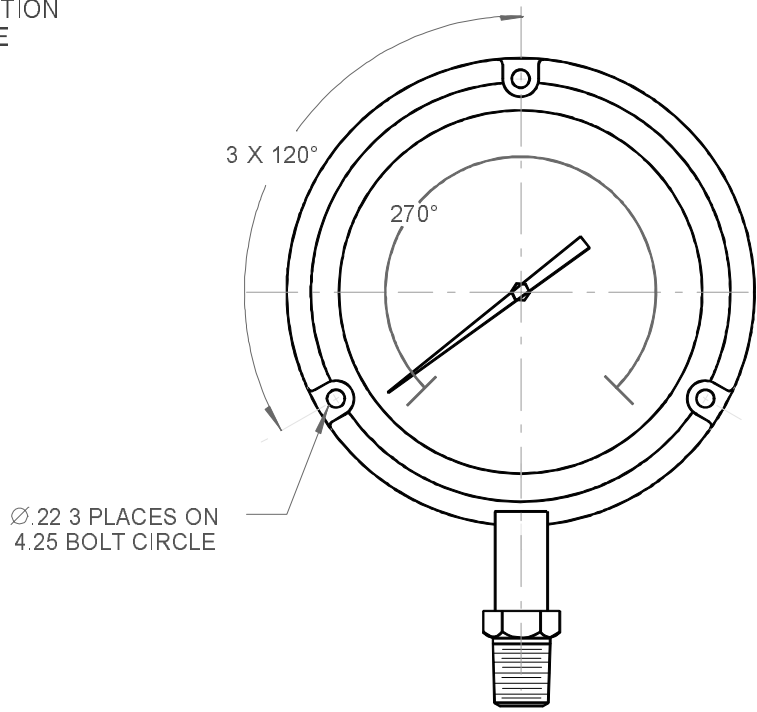


NOTES:
REF. BUL. 100 & T-103 FOR THE FOLLOWING:

- b - ACCURACY CODE
- e - POINTER TYPE
- f - DIAL TRIM
- gg - PRESSURE RANGE CODE (T-103)
- h - CASE COLOR - CODE A (BLACK) STANDARD
- i - FITTING LOCATION
- j - FITTING TYPE
- k - OPTIONS

REVISIONS			
REV	DESCRIPTION	DATE	APPROVED



UNLESS OTHERWISE SPECIFIED DIMENSIONS ARE IN INCHES		MATERIAL: ABS or EQUAL		CONTRACT NO.		PERMA-CAL INDUSTRIES, INC.							
ANGULAR ± 0° 30'				DATE						TURRET GAUGE, 3 1/2"			
LINEAR .XX ± .03				PREP BY		PAL		4/30/2007					
CORNER AND FILLET RAD. .005-.015 REMOVE ALL BURRS		CHECK		PROJ ENGR		REH		5/10/2007					
DIAMETERS ON SAME C/L		FINISH:		USED ON:		SIZE		CODE IDENT NO.					
RUNOUT WITHIN _____ FIR				INDUSTRIAL GAUGES		A		59018		1b2Tefggghij-k		N/C	
SURFACE ROUGHNESS USAS B46.1				FILE NAME:		1b2Tefggghij		SCALE		WEIGHT		SHEET 1 OF 1	