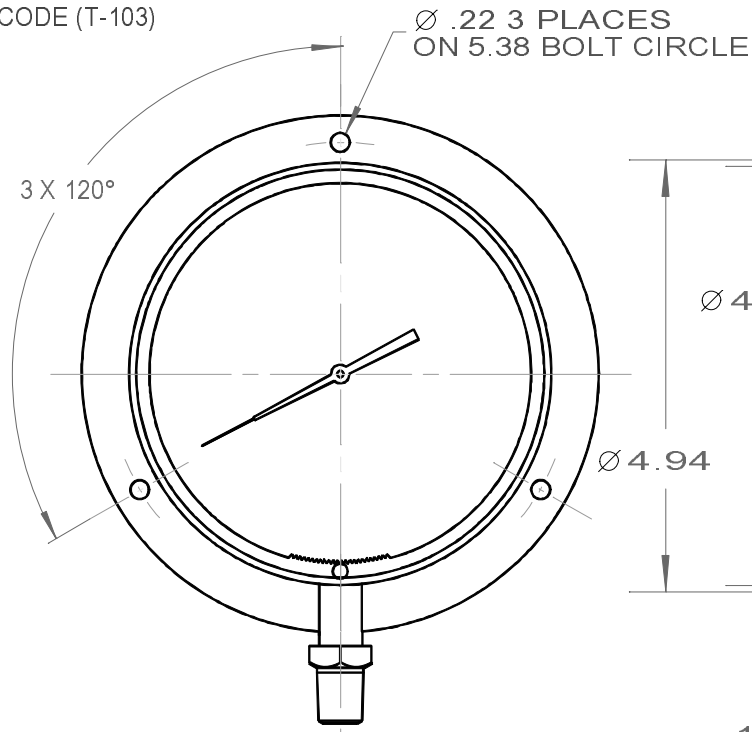


NOTES:

REF. BUL. 100 & T-103 FOR THE FOLLOWING:

- b - ACCURACY CODE
- e - POINTER TYPE
- f - DIAL TRIM
- gg - PRESSURE RANGE CODE (T-103)
- h - CASE COLOR
- i - FITTING LOCATION
- j - FITTING TYPE
- k - OPTIONS



REVISIONS			
REV	DESCRIPTION	DATE	APPROVED

UNLESS OTHERWISE SPECIFIED DIMENSIONS ARE IN INCHES		MATERIAL:		CONTRACT NO.		PERMA-CAL INDUSTRIES, INC.			
ABS or EQUAL		DATE		5/2/2007					
ANGULAR	± 0° 30'	FINISH:		PREP BY	PAL	PRESSURE GAUGE, 4 1/2", REAR FLANGE CASE			
LINEAR	.XX ± .03			CHECK					
FRACTIONAL	.XXX ± .015			PROJ ENGR					
CORNER AND FILLET RAD. .005-.015 REMOVE ALL BURRS		USED ON:		SIZE	CODE IDENT NO.	DRAWING NO.	REV		
DIAMETERS ON SAME C/L RUNOUT WITHIN _____ FIR		INDUSTRIAL GAUGES		A	59018	1b1Refgghij-k	N/C		
SURFACE ROUGHNESS USAS B46.1		FILE NAME:		SCALE	WEIGHT	SHEET	OF		
		1b1Refgghij		1 : 2		1	OF	1	