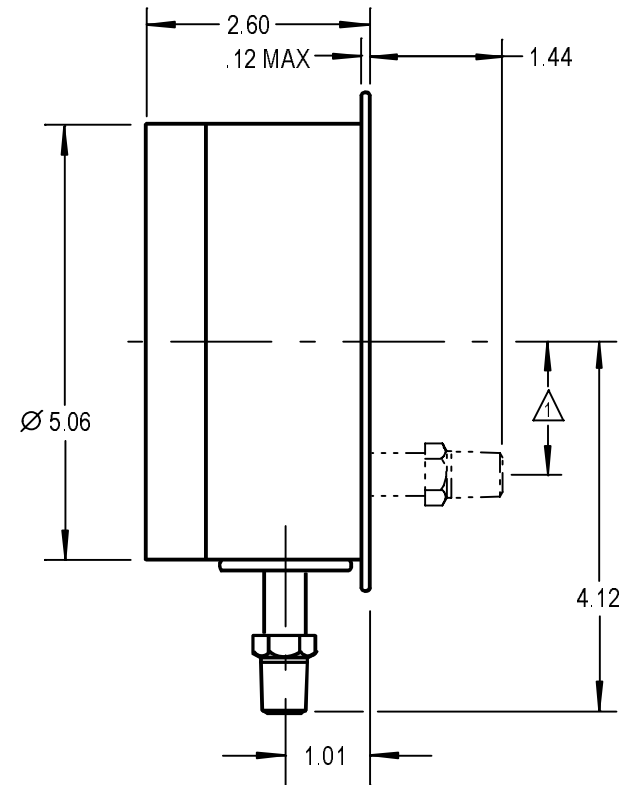
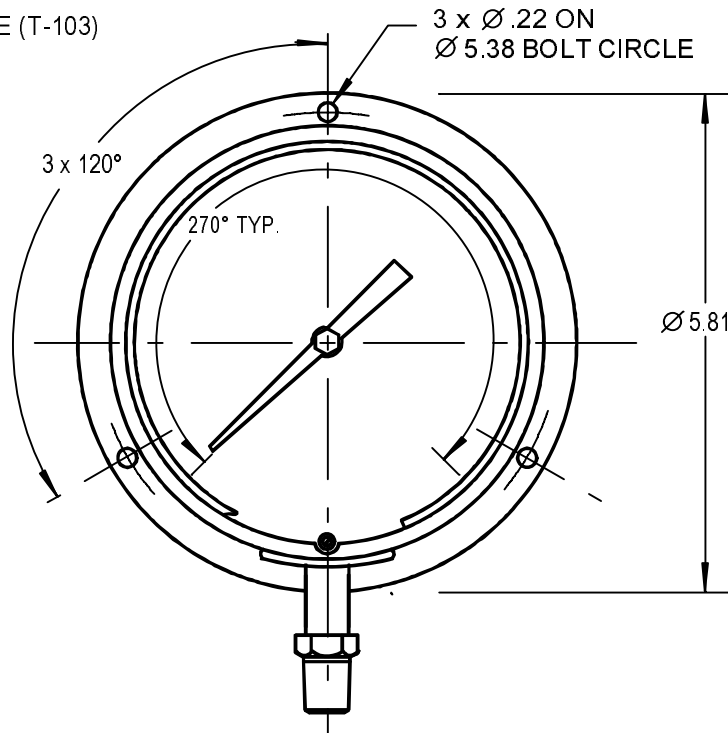


NOTES:  
REF. BUL. 100 & T-103 FOR THE FOLLOWING:

- b - ACCURACY CODE
- e - POINTER TYPE
- f - DIAL TRIM
- gg - PRESSURE RANGE CODE (T-103)
- h - CASE COLOR
- i - FITTING LOCATION
- j - FITTING TYPE
- k - ADDITIONAL OPTIONS



⚠ Commercial dimension is 1.38. If IAW MIL-G-18997 or ASME B40.100 Appendix C, the dimension will be 1.63.

| REVISIONS |     |             |      |          |
|-----------|-----|-------------|------|----------|
| ZONE      | REV | DESCRIPTION | DATE | APPROVED |
|           |     |             |      |          |

|   |                           |                                       |                             |      |   |                |                |     |
|---|---------------------------|---------------------------------------|-----------------------------|------|---|----------------|----------------|-----|
| UNLESS OTHERWISE SPECIFIED DIMENSIONS ARE IN INCHES |                           | MATERIAL:<br><br>ALUMINUM             | CONTRACT NO.                |      | <b>PERMA-CAL INDUSTRIES, INC.</b>         |                |                |     |
| ANGULAR   | ± 1°                      |                                       | PREP BY                     | PAL  |   |                |                |     |
| LINEAR  | .XX ± .030<br>.XXX ± .015 | FINISH:<br><br>POWDER COAT            | CHECK                       |      | <b>GAUGE, 4 1/2" ALUMINUM REAR FLANGE</b> |                |                |     |
| FRACTIONAL  | ± 1/16                    |                                       | PROJ ENGR                   |      |   |                |                |     |
| DIAMETERS ON SAME C/L RUNOUT WITHIN <u>.016</u> FIR |                           | USED ON:<br>INDUSTRIAL / MIL-G GAUGES | FILE NAME:<br>1b1Refgghij-Z |      | SIZE                                      | CODE IDENT NO. | DRAWING NO.    | REV |
| ✓ SURFACE ROUGHNESS USAS B46.1                      |                           |                                       | 1b1Refgghij-Z               |      | <b>A</b>                                  | <b>59018</b>   | 1b1Refgghij-Zk | N/C |
|   |                           |                                       | SCALE                       | NONE | WEIGHT                                    | SHEET 1 OF 1   |                |     |