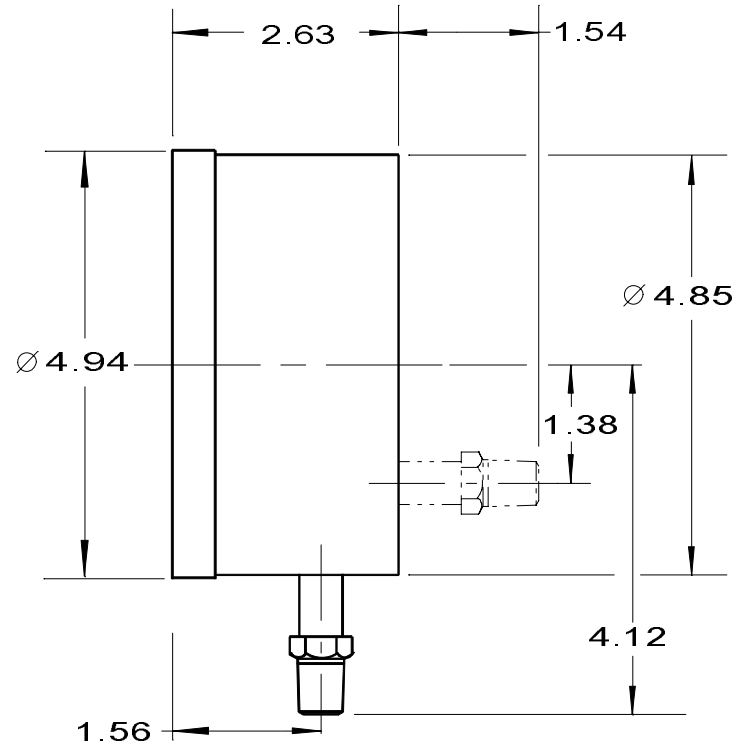
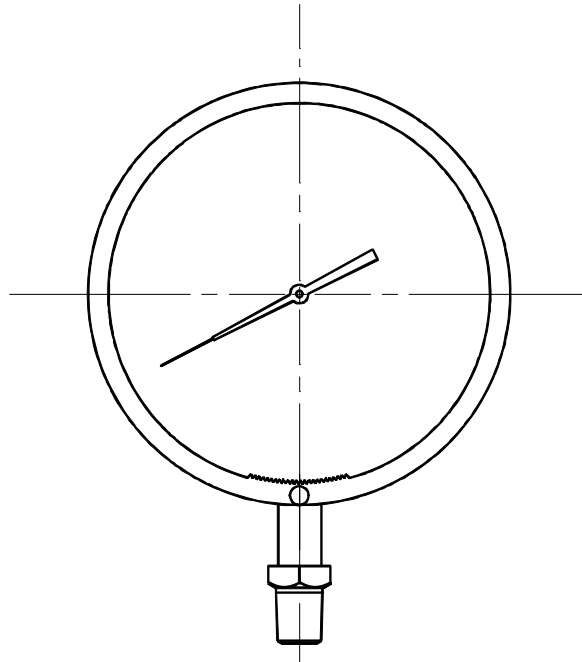


NOTES:

REF. BUL. 100 & T-103 FOR THE FOLLOWING:

- b - ACCURACY CODE
- e - POINTER TYPE
- f - DIAL TRIM
- gg - PRESSURE RANGE CODE (T-103)
- h - CASE COLOR
- i - FITTING LOCATION
- j - FITTING TYPE
- k - OPTIONS



REVISIONS

REV	DESCRIPTION	DATE	APPROVED

UNLESS OTHERWISE SPECIFIED  
DIMENSIONS ARE IN INCHES

ANGULAR		± 0° 30'
LINEAR	.XX	± .03
	.XXX	± .015
FRACTIONAL		± .031

CORNER AND FILLET RAD. .005-.015  
REMOVE ALL BURRS

DIAMETERS ON SAME C/L  
RUNOUT WITHIN \_\_\_\_\_ FIR

✓ SURFACE ROUGHNESS  
USAS B46.1

MATERIAL:  
  
ABS or EQUAL

FINISH:

CONTRACT NO.

PREP BY	PAL	DATE	5/02/2007
CHECK			

PROJ ENGR	REH	DATE	5/10/2007
-----------	-----	------	-----------

USED ON:  
INDUSTRIAL GAUGES

FILE NAME:  
1b1Nefgg hij

**PERMA-CAL INDUSTRIES, INC.**

**PRESSURE GAUGE,  
4 1/2", NO FLANGE CASE**

SIZE	CODE IDENT NO.	DRAWING NO.	REV
<b>A</b>	<b>59018</b>	1b1Nefgg hij-k	N/C

SCALE	WEIGHT	SHEET 1 OF 1
-------	--------	--------------