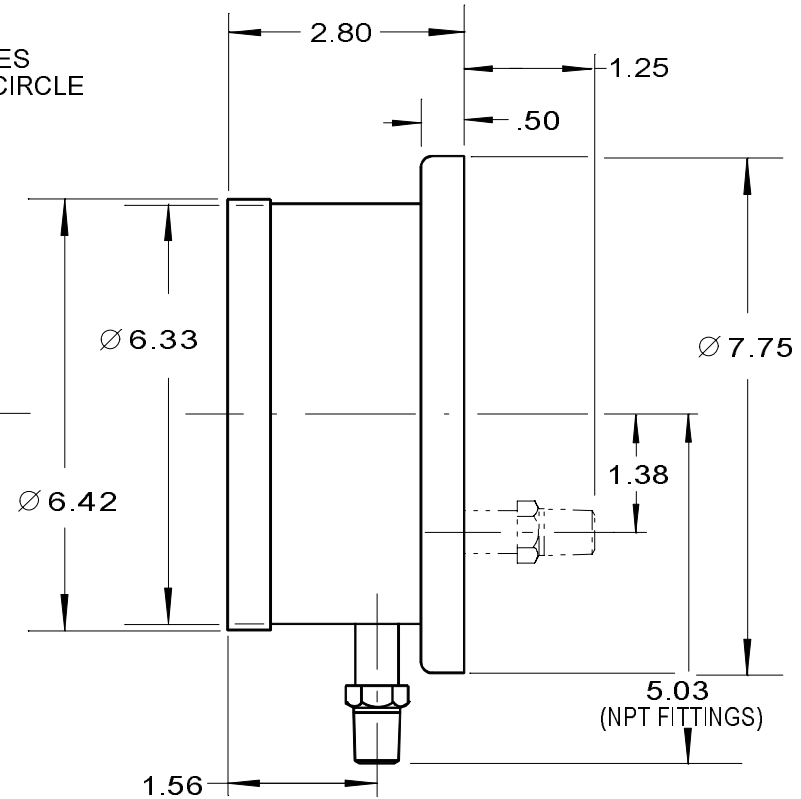
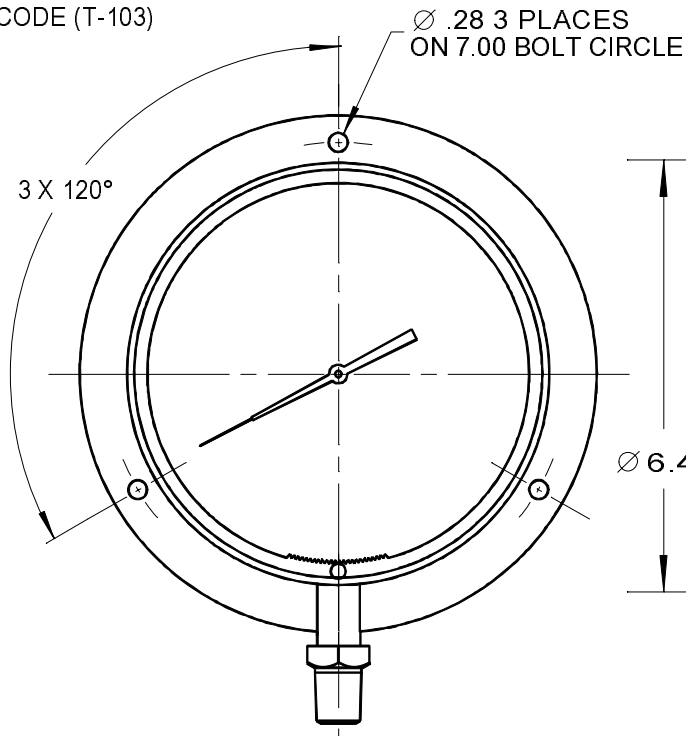


NOTES:
REF. BUL. 100 & T-103 FOR THE FOLLOWING:

- b - ACCURACY CODE
- e - POINTER TYPE
- f - DIAL TRIM
- gg - PRESSURE RANGE CODE (T-103)
- h - CASE COLOR
- i - FITTING LOCATION
- j - FITTING TYPE
- k - OPTIONS



REVISIONS			
REV	DESCRIPTION	DATE	APPROVED

UNLESS OTHERWISE SPECIFIED DIMENSIONS ARE IN INCHES		MATERIAL: ABS or EQUAL		CONTRACT NO.		PERMA-CAL INDUSTRIES, INC.			
ANGULAR ± 0° 30'		FINISH:		PREP BY	PAL				
LINEAR .XX ± .03				CHECK				SIZE	CODE IDENT NO.
FRACTIONAL .XXX ± .015		PROJ ENGR				A	59018	1b0Refgghij-k	N/C
CORNER AND FILLET RAD. .005-.015 REMOVE ALL BURRS		USED ON: INDUSTRIAL GAUGES			SCALE		WEIGHT		SHEET 1 OF 1
DIAMETERS ON SAME C/L RUNOUT WITHIN _____ FIR		FILE NAME: 1b0Refgghij			1 : 2				
✓ SURFACE ROUGHNESS USAS B46.1									